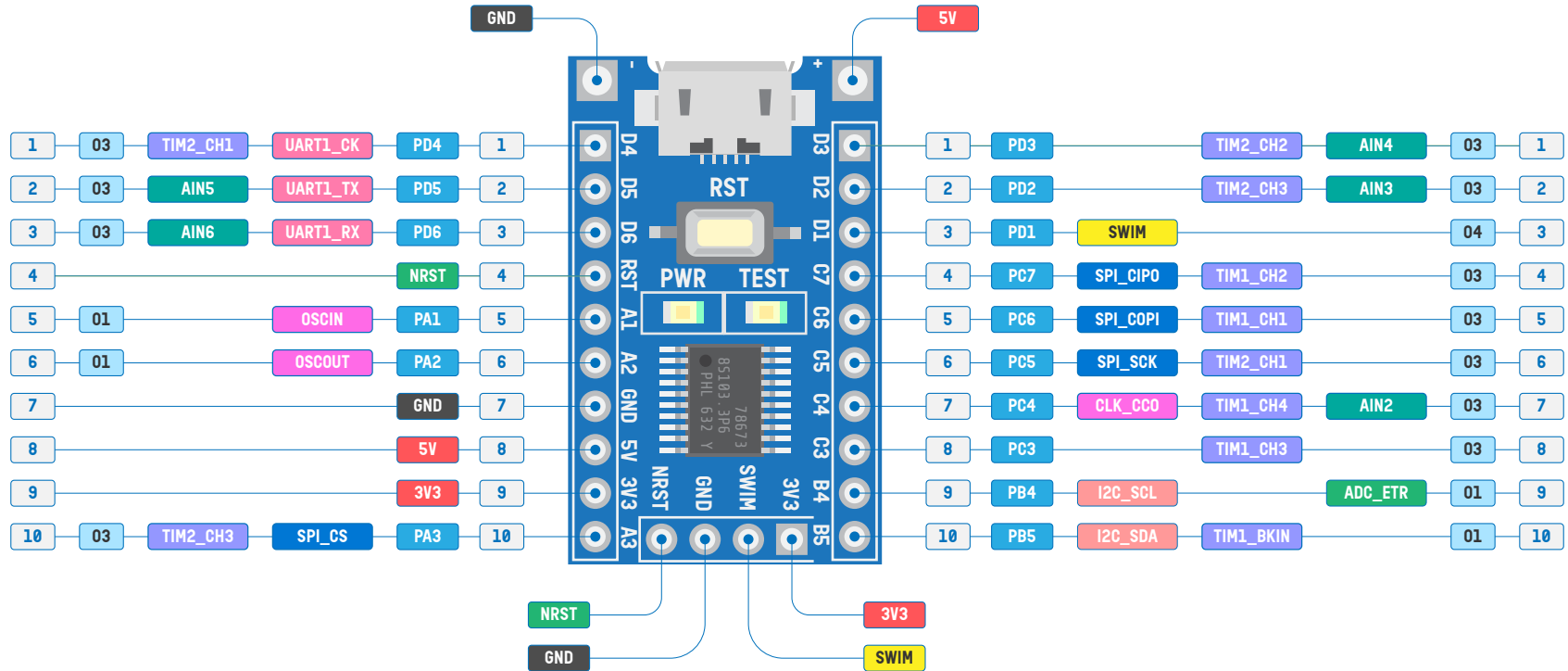


# STM8S-BLUE PINOUT



PHYSICAL	POSITIVE SUPPLY	GPIO PORT/PIN	ADC
CONTROL	GROUND SUPPLY	UART	TIMER
PROGRAM/DEBUG	SPEED CLASS	I2C	SPI
CLOCK/OSC			

