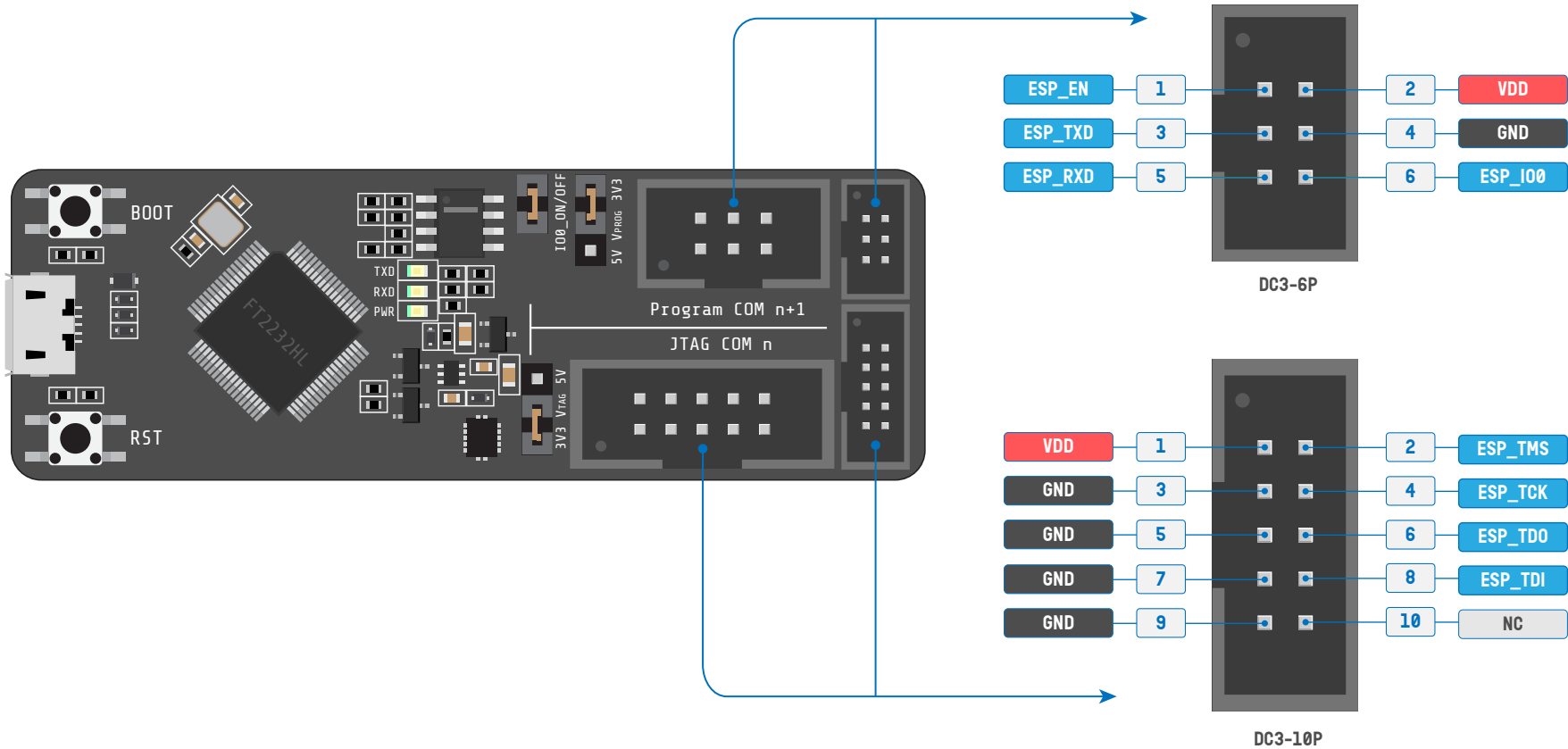


Espressif ESP-Prog PINOUT



*Espressif is a trademark of Espressif Systems (Shanghai) CO., LTD.

PHYSICAL PIN

POSITIVE SUPPLY

NOT CONNECTED

SIGNAL

GROUND SUPPLY



Rev. 0.1, 17-09-2023

Design: Vishnu Mohanan

This work is licensed under a Creative Commons Attribution 4.0 International License