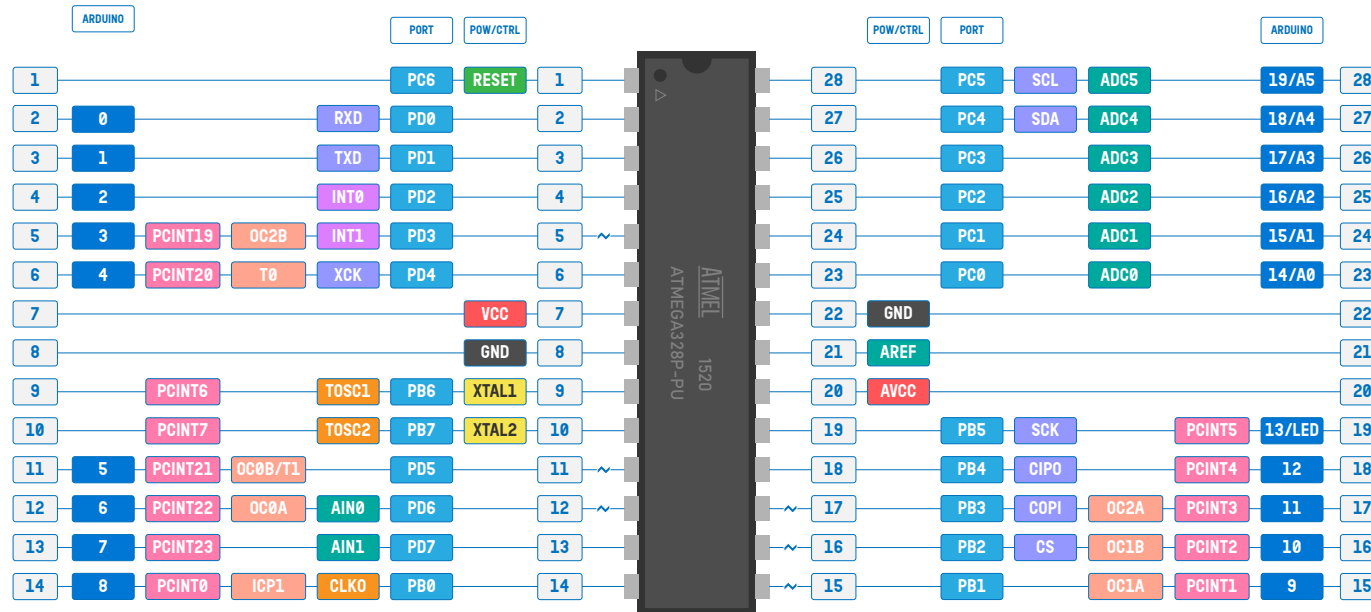


ATMEGA328P DIP-28 PINOUT



SPECIFICATIONS

Family	8-Bit AVR
Clock Max.	20 MHz
Flash	32 KB
SRAM	2 KB
EEPROM	1 KB
8-Bit Timer	2
16-Bit Timer	1
GPIO	23
PWM Channels	6
ADC Channels	6
ADC Resolution	10 Bits
SPI	2
USART	1
I2C	1
Voltage Range	1.8 - 5.5 V

PHYSICAL PIN	POSITIVE SUPPLY	GROUND SUPPLY	RESET/ENABLE	CRYSTAL
GPIO PORT/PIN	ANALOG PIN	COMMUNICATION	EXTERNAL INTERRUPT	PIN CHANGE INTERRUPT
TIMER/COUNTER	OSCILLATOR	ARDUINO PINS	~ PWM CHANNEL	

