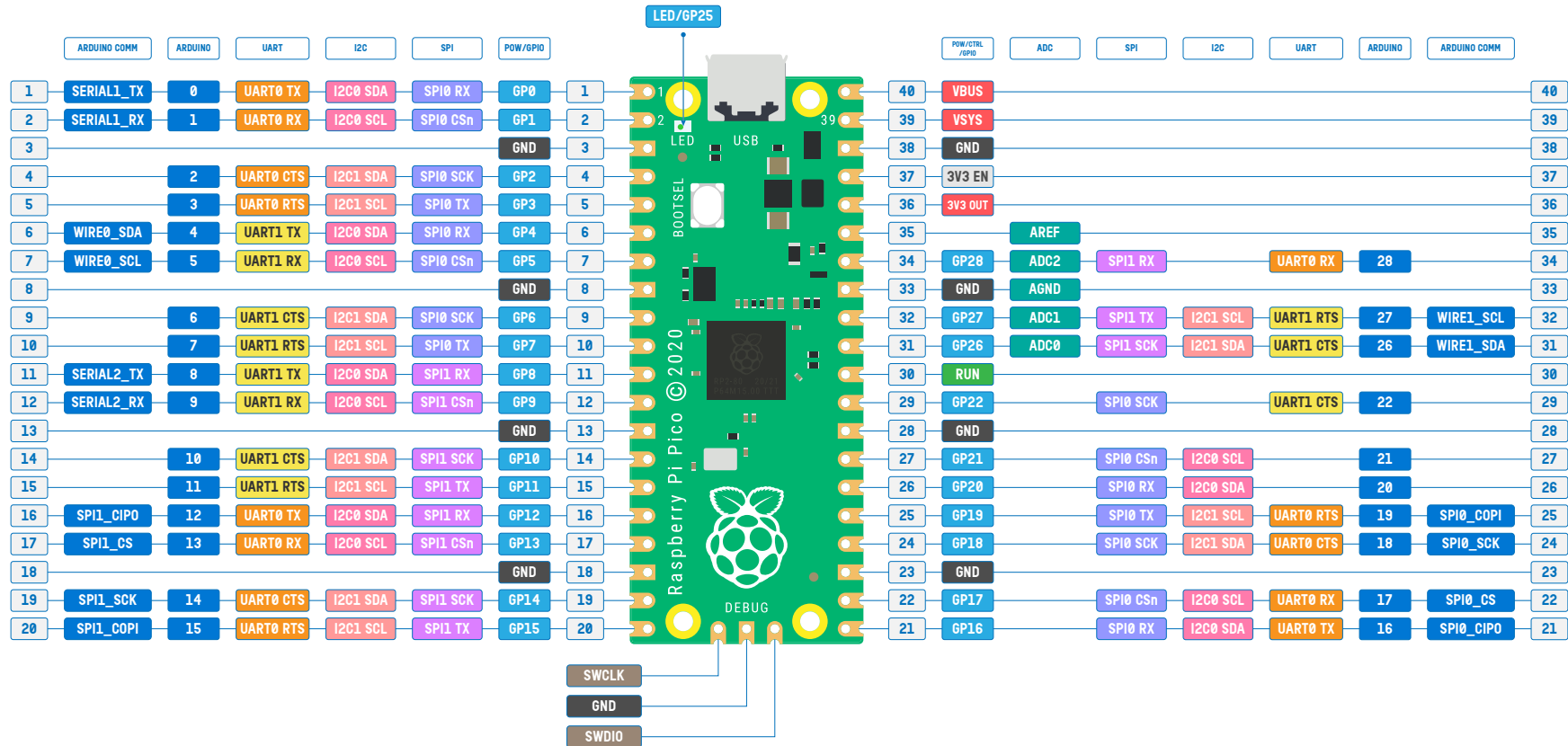


# RASPBERRY PI PICO PINOUT



\*Raspberry Pi and the Raspberry Pi logo are trademarks of Raspberry Pi Ltd.  
Raspberry Pi Pico vector image is originally designed by Raspberry Pi. Please visit [raspberrypi.com](http://raspberrypi.com) for more info.

<b>ARDUINO PINS</b>	<b>SWD Pins</b>		
<b>PHYSICAL PIN</b>	<b>POSITIVE SUPPLY</b>	<b>UART1 Pins</b>	<b>UART0 Pins</b>
<b>RESET/ENABLE</b>	<b>GROUND SUPPLY</b>	<b>I2C1 Pins</b>	<b>I2C0 Pins</b>
<b>GPIO PORT/PIN</b>	<b>ANALOG PIN</b>	<b>SPI1 Pins</b>	<b>SPI0 Pins</b>

- GP29/ADC3 is used to measure VSYS.
- GP25 is used by debug LED.
- GP24 is used for VBUS sense.
- GP23 is connected to SMPS Power Save pin.
- All GPIO pins support PWM. There are total 16 PWM channels.
- All GPIO pins support level and edge interrupts.
- Arduino pins are as per *Arduino-Pico* core by *Earle F. Philhower, III* @earlephilhower
- Arduino's default **Serial** is the USB-CDC of Pico.