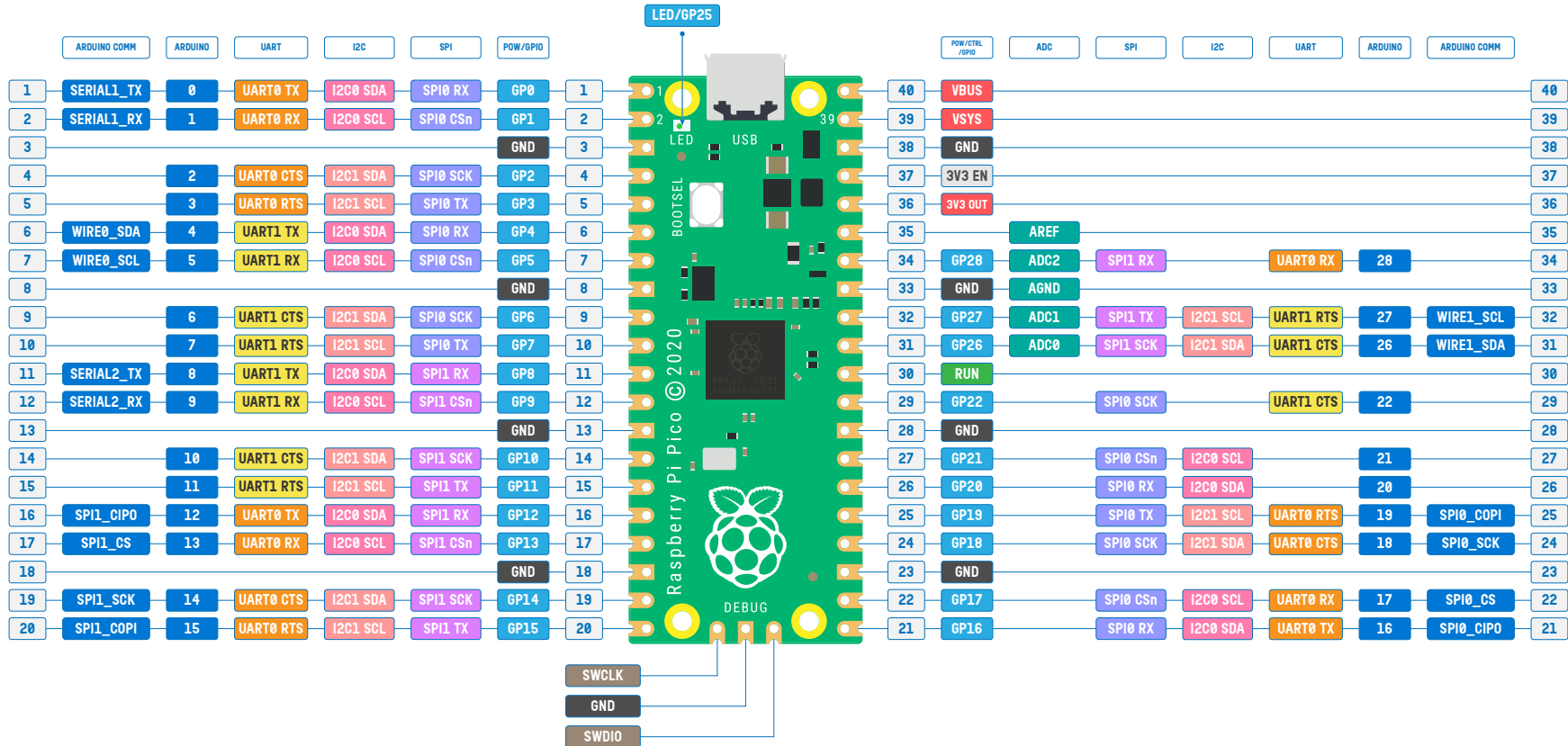


* RASPBERRY PI PICO



*Raspberry Pi and the Raspberry Pi logo are trademarks of Raspberry Pi Ltd.
Raspberry Pi Pico vector image is originally designed by Raspberry Pi. Please visit raspberrypi.com for more info.

ARDUINO PINS	SWD Pins		
PHYSICAL PIN	POSITIVE SUPPLY	UART1 Pins	UART0 Pins
RESET/ENABLE	GROUND SUPPLY	I2C1 Pins	I2C0 Pins
GPIO PORT/PIN	ANALOG PIN	SPI1 Pins	SPI0 Pins

- GP29/ADC3 is used to measure VSYS.
- GP25 is used by debug LED.
- GP24 is used for VBUS sense.
- GP23 is connected to SMPS Power Save pin.
- All GPIO pins support PWM. There are total 16 PWM channels.
- All GPIO pins support level and edge interrupts.
- Arduino pins are as per *Arduino-Pico* core by *Earle F. Philhower, III* @earlephilhower
- Arduino's default *Serial* is the USB-CDC of Pico.

