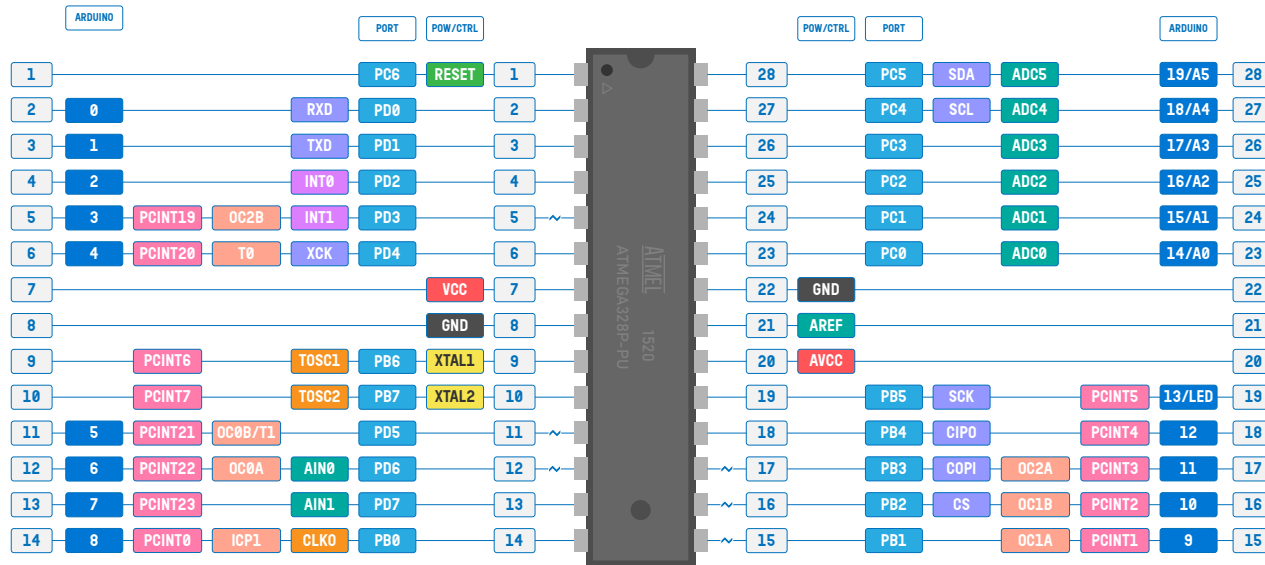


# ATMEGA328P - 28-DIP



| SPECIFICATIONS |             |
|----------------|-------------|
| Family         | 8-Bit AVR   |
| Clock Max.     | 20 MHz      |
| Flash          | 32 KB       |
| SRAM           | 2 KB        |
| EEPROM         | 1 KB        |
| 8-Bit Timer    | 2           |
| 16-Bit Timer   | 1           |
| GPIO           | 23          |
| PWM Channels   | 6           |
| ADC Channels   | 6           |
| ADC Resolution | 10 Bits     |
| SPI            | 2           |
| USART          | 1           |
| I2C            | 1           |
| Voltage Range  | 1.8 - 5.5 V |

|               |                 |               |                    |                      |
|---------------|-----------------|---------------|--------------------|----------------------|
| PHYSICAL PIN  | POSITIVE SUPPLY | GROUND SUPPLY | RESET/ENABLE       | CRYSTAL              |
| GPIO PORT/PIN | ANALOG PIN      | COMMUNICATION | EXTERNAL INTERRUPT | PIN CHANGE INTERRUPT |
| TIMER/COUNTER | OSCILLATOR      | ARDUINO PINS  | ~ PWM CHANNEL      |                      |

